

ASSEMBLY INSTRUCTION

MODEL: HOME 1008 DOUBLE BED (Bendwood Slat) - 3 Support Legs

Before you begin, please follow Assembly Instruction carefully. Follow them step by step

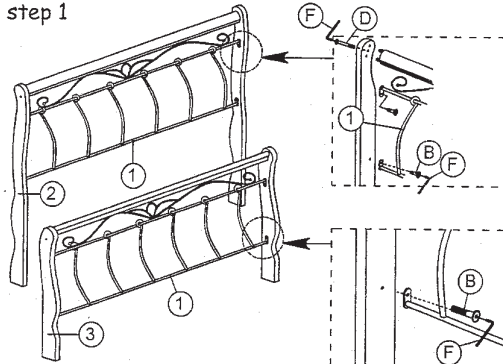
HARDWARE LIST

NO	DESCRIPTION	QTY
A	M6 x 25mm JCBC SCREW	8
B	M6 x 25mm JCBC SCREW	8
C	M6 x 35mm JCBC SCREW	4
D	M6 x 90mm JCBC SCREW	14
E	M6 HEX NUT	4
F	M4 ALLEN KEY	1

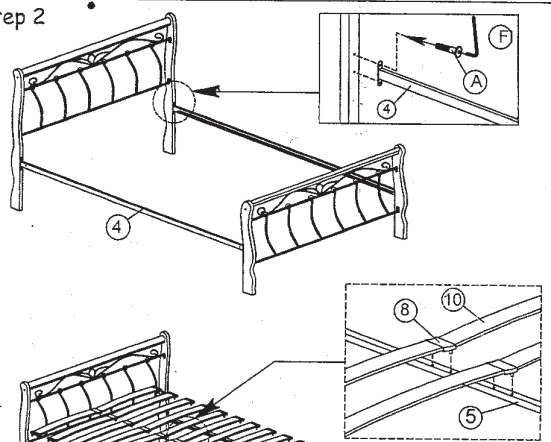
PART LIST

NO	DESCRIPTION	QTY
1	HEADBOARD / FOOTBOARD	2
2	HEAD POST	2
3	FOOT POST	2
4	SIDE RAIL	2
5	CENTER RAIL	1
6	MIDDLE RAIL	2
7	CENTER SUPPORTER	3
8	DOUBLE SLAT HOLDER	12
9	SINGLE SLAT HOLDER	24
10	VENEER	24

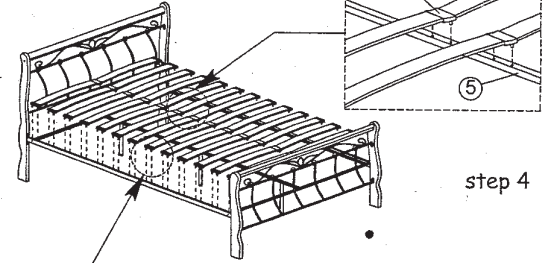
step 1



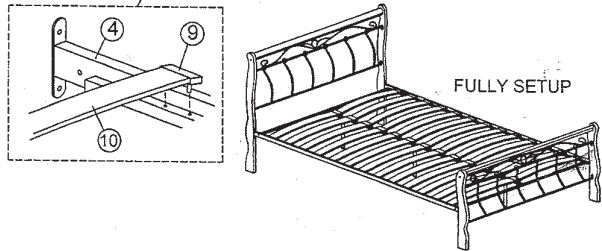
step 2



step 4



FULLY SETUP



step 3

